

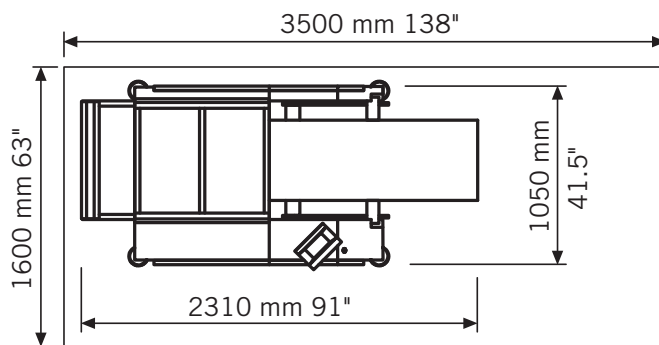
# Unwinder 550

## Accurate and reliable roll feeding



- ✓ **Center-shaft driven**
- ✓ **Compatible with pressure sensitive labels**
- ✓ **Easy to use splice station**
- ✓ **Feed directly into printers or inserters**

### Service Area



### Technical Specifications

#### Performance / Media

Speed max.	600 ft/min	180 m/min
Feeding	Pinfed or pinless	
Paper weight	10.5# bond - 140# index, 40 - 250 gsm <i>(above 200 gsm with heavy paper kit and subject to application review)</i>	
Roll diameter	4" - 52"	100 mm - 1320 mm
Roll weight max.	1389 lb	630 kg
Web width	6" - 20.5"	155 mm - 520 mm
Core sizes	3", 5", 6"	70, 150, 200 mm

#### Options

Low speed kit	For use with low speed printers 20 - 100 ft/min    0.1 - 0.5 m/s	
Splice sensor	To detect splice in paper roll	
Fan kit	To control paper loop	

#### Electrical

Power	10A, 200 - 240 VAC, 50/60 Hz or <i>(North America)</i> 15A, 1 Phase, 208 V, REC=L6-15R	
Consumption	500 W (in use)	120 W (idle)
Heat output	360 kcal/h - 1100 kJ/h - 1030 BTU/h	

#### Environmental

Temperature	60 - 80° F	15 - 27° C
Acoustics	65 dB(A)	
Humidity	40 - 60%	

#### Dimensions

Length inc loop	56" (71.3")	1420 mm (1810mm)
inc loop and max roll	91"	2310 mm
Width	44.9"	1140 mm
Height excl. display	42.75" (49.8")	1085 mm (1265mm)
Weight	1587 lb	720 kg
Color	Gray	

#### Approvals

CE (2006/42/EC), EMC Class A, LVD,  
CB EN 60950, cULus 60950-1,  
FCC15 Class A

## Product Specifications



18062015

©2015 Tecna. All rights reserved. The Tecna name and logo are trademarks of Tecna. Tecna reserves the right to make any technical amendments without prior notification.



**TECNAU**  
w w w . t e c n a u . c o m

Europe	Italy	+39 0125 631678	info.it@tecna.com
	Sweden	+46 372 256 00	info.se@tecna.com
Americas	USA	+1 978 608 0500	info.us@tecna.com
Asia Pacific	China	+86 159 00710147	info.cn@tecna.com
	Singapore	+65 6793 9478	info.sg@tecna.com