

# HT-1000V

Variable Trimmer

**Zero Make-Ready**

**Production Variable book trimmer**



# Zero Make-Ready

The Horizon HT-1000V three-knife trimmer achieves zero make-ready on book trim size and thickness changes. Well suited for short-run production, and book of one production can also be achieved through barcode driven set-up.

## Features

- 1. Automated set-up** – The HT-1000V is set-up automatically on the fly by reading a barcode at the entrance of the trimmer. The system also is capable of automatic set-up from the operator panel for same size production runs.
- 2. Variable size trimming** – One-to-one book production with variable sizes can be produced. Both untrimmed and trimmed sizes can be variable for true variable format production.
- 3. In-line Production** – The HT-1000V can be placed in-line with Horizon perfect binders to maximize finishing automation and minimize human operation error.
- 4. High Speed Operation** – Maximum cycle speed of the HT-1000V is 1,000 books / hr. For example, A4 to A5 alternating sequence (book of one production) can be \*950 books / hr. (\* Production speed depends on book condition and preparation of untrimmed books.)
- 5. JDF Workflow** – The HT-1000V can be connected with the Horizon pXnet JDF workflow for finishing production efficiency and management.



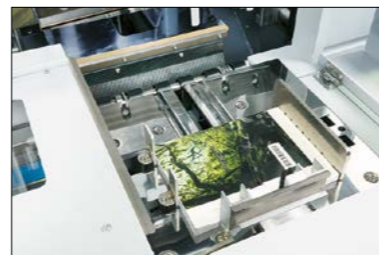
### 1 Barcode Scanner

A Barcode scanner located at the entrance of the HT-1000V scans a barcode printed on each untrimmed book. Scanned barcode information is used for automated setting, book by book. Both before and after trim size can be fully variable.



### 2 Book Positioning

Each book is positioned at the fore-edge trim (first trim) section by a servo-motor driven pusher. Pusher move stroke and number of jogs can be adjusted through the operation panel for exact positioning of the book. Cover overhang is diverted above the pusher for accurate book registration before trim.



### 3 Book Clamp

Press plate replacement is not required for format changes or book thickness. Precise servo-motor driven book clamps automatically position and press each book. Single books or trimming of piled books can be performed without any manual operation.



### 5 Operation Panel

The HT-1000V is equipped with a new generation touch screen. Uniquely designed user interface provides intuitive operation and fine-tune adjustment if necessary. 200 jobs can be memorized for repeat jobs or special applications.


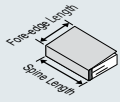


### 4 Trimming

Independently operated trim knives provide smooth and accurate trimming. Even longer knife usage before re-sharpening. Silicon spray is applied automatically at the spine cut of the top and bottom trim knives to prevent glue from sticking to the knives.



## HT-1000V Specifications

<b>Untrimmed Book Size</b> 	Max. Spine Length 350 x Fore-edge Length 320 mm / 13.780" x 12.600" Limitation: The maximum length from the center to top or bottom is 175 mm / 6.889".
	Min. Spine Length 148 x Fore-edge Length 105 mm / 5.825" x 4.130" Limitation: The minimum length from the center to top or bottom is 74 mm / 2.91".
<b>Finished Book Size</b> 	Max. Spine Length 340 x Fore-edge Length 300 mm / 13.390" x 11.815" Limitation: The maximum length from the center to top or bottom is 170 mm / 6.69".
	Min. Spine Length 145 x Fore-edge Length 101.6 mm / 5.705" x 4.00" Limitation: The minimum length from the center to top or bottom is 72.5 mm / 2.85".

Trim Width	Fore-edge: Max. 110 mm / 4.330" Min. 1 mm / 0.04"
	Top and bottom: Max. 80 mm / 3.150" Min. 1 mm / 0.04"
Trim Thickness	1 to 65 mm / 0.04" to 2.560"
Clamp and Pressure	Servo Motor 2 kN to 8kN
Production Speed	400 to 1,000 cycles per hour * Higher production can be reached with piled books. * Production speed depends on book condition and preparation of untrimmed books.
Voltage/Frequency	3-Phase 200 to 220 V, 50 / 60 Hz 3-Phase 380 to 415 V, 50 / 60 Hz (Step down to 200V by Transformer)
Machine Dimensions	W2,027 x D3,200 x H1,622 mm / W79.8" x D126.0" x H63.9" (The height including the pole lamp is 1,722 mm / 67.8")

### Compressor Major Specifications (To be arranged locally)

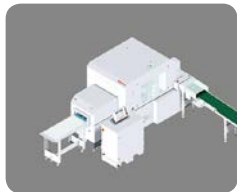
Power Consumption	3.7 kW
Pressure	0.85 to 0.7 MPa
Discharge	375 L / min.

## Options

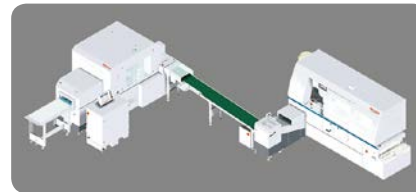
Hand-Feed Conveyor HC-1000V	1.5 m / 4.95 ft conveyor for hand feeding operation.
Wired Remote Controller WRC-1000V	Wired remote controller to operate the system more efficiently.

## Machine Dimensions (Unit : mm / inch)

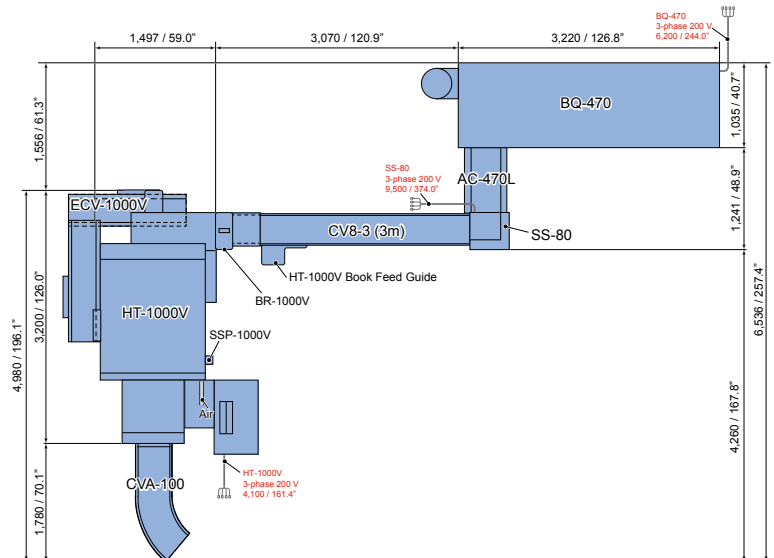
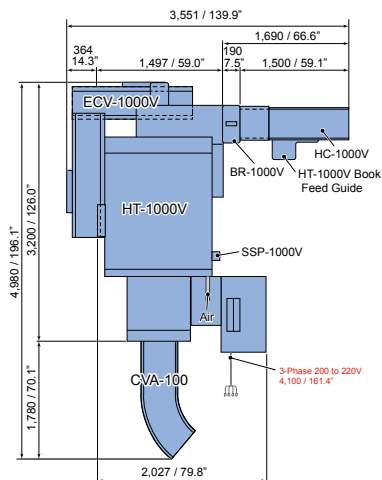
Prepare enough installation space depending on the layout.  
The area about 700 mm / 27.6" around the machine is necessary space.



Off-line configuration



In-line configuration



\*The machine design and specifications are subject to change without any notice.

Distributed by

**HORIZON INTERNATIONAL, INC.**

510 Kuze Ooyabu-cho, Minami-ku, Kyoto, 601-8206, Japan Phone : +81-(0)75-934-6700, Fax : +81-(0)75-934-6708, www.horizon.co.jp